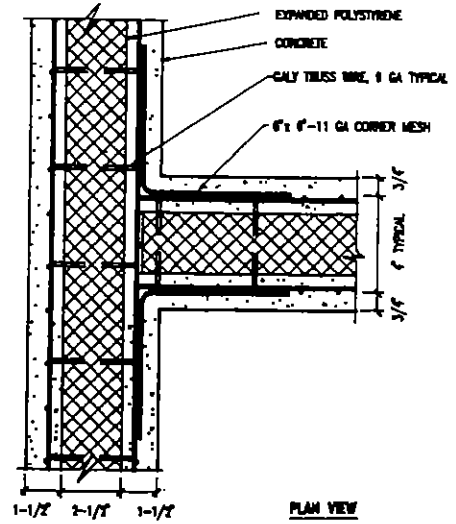


DETAILS ILLUSTRATE STANDARD 3-D PANEL CONFIGURATION.  
ACTUAL PANEL DESIGN MAY VARY.



DETAILS ILLUSTRATE STANDARD 3-D PANEL CONFIGURATION.  
ACTUAL PANEL DESIGN MAY VARY.

STANDARD DETAILS

TYPICAL CORNER

SCALE: 1-1/2" = 1'-0"

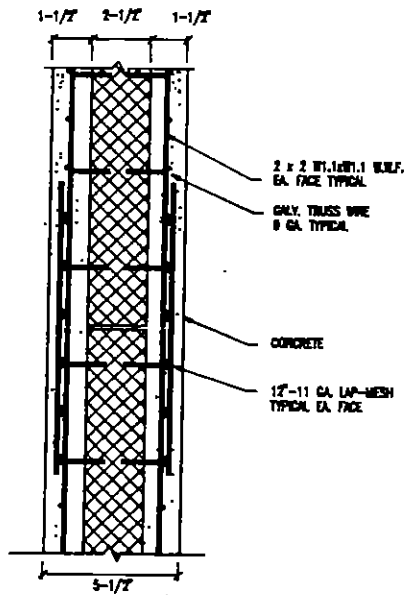
DRG. NO.  
101

STANDARD DETAILS

TYPICAL WALL INTERSECTION

SCALE: 1-1/2" = 1'-0"

DRG. NO.  
102



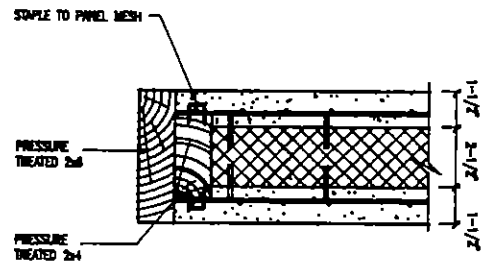
DETAILS ILLUSTRATE 3-D PANEL CONFIGURATION.  
ACTUAL PANEL DESIGN MAY VARY.

STANDARD DETAILS

WALL SPLICE

SCALE: 1-1/2" = 1'-0"

DRG. NO.  
103



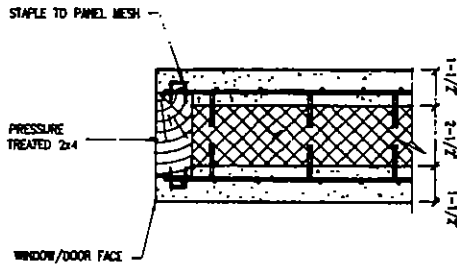
DETAILS ILLUSTRATE STANDARD 3-D PANEL CONFIGURATION.  
ACTUAL PANEL DESIGN MAY VARY.

STANDARD DETAILS

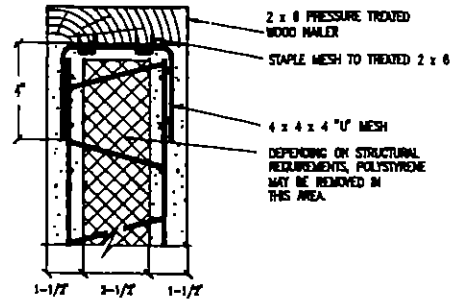
TYPICAL WINDOW/DOOR JAMB

SCALE: 1-1/2" = 1'-0"

DRG. NO.  
104



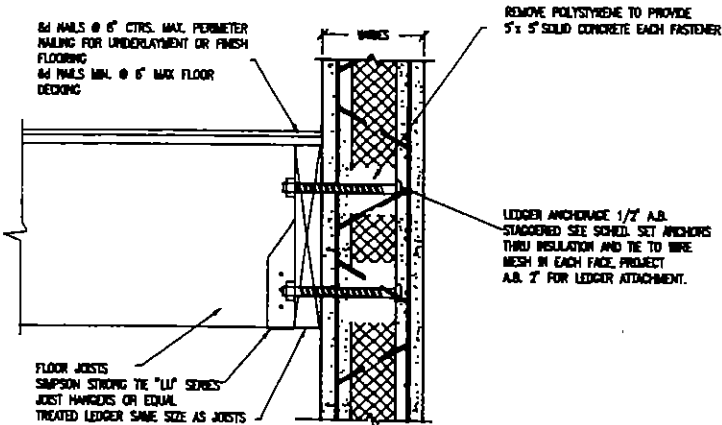
DETAILS ILLUSTRATE STANDARD 3-0 PANEL CONFIGURATION. ACTUAL PANEL DESIGN MAY VARY.



DETAILS ILLUSTRATE 3-0 PANEL CONFIGURATION. ACTUAL PANEL DESIGN MAY VARY.

STANDARD DETAILS	
TYPICAL WINDOW/DOOR FRAME	DWG. NO. 105
SCALE: 1-1/2" = 1'-0"	

STANDARD DETAILS	
TYPICAL MULLER AT TOP OF PARAPET	DWG. NO. 106
SCALE: 1-1/2" = 1'-0"	



**LEDGER ANCHORAGE SCHEDULE**

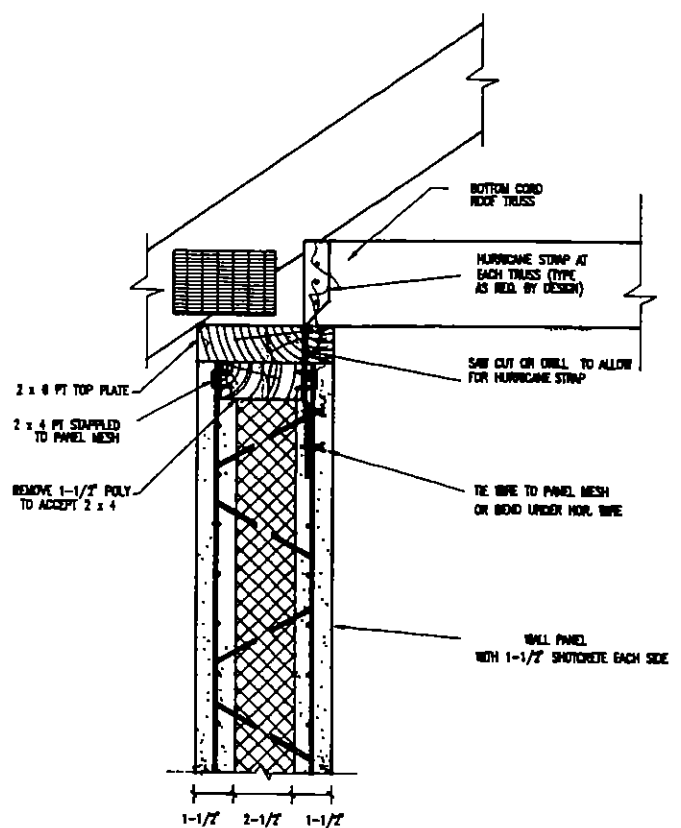
JOIST SPAN	ANCHOR SPACING (STAGGERED)
8'-0"	18" o.c.
8'-0" TO 10'-0"	12" o.c.
10'-0" TO 15'-0"	9" o.c.
15'-0" TO 18'-0"	7" o.c.

LEDGERS PARALLEL TO FLOOR JOISTS - 24" o.c.

DETAILS ILLUSTRATE 3-0 PANEL CONFIGURATION. ACTUAL PANEL DESIGN MAY VARY.

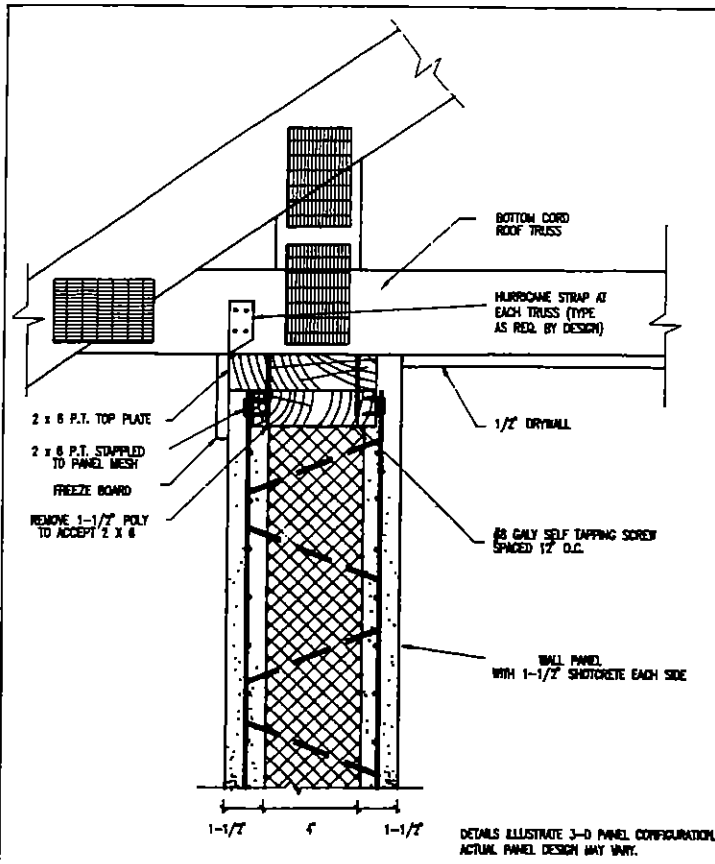
\* BASED ON 40 PSF LIVE LOAD

STANDARD DETAILS	
TYPICAL LEDGER CONNECTION	DWG. NO. 107
SCALE: 1-1/2" = 1'-0"	

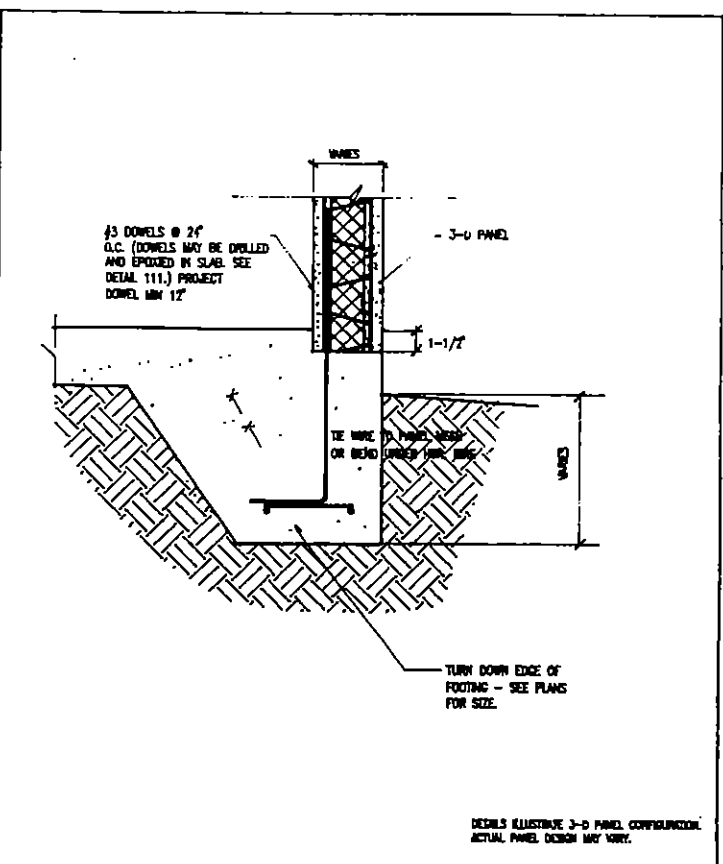


DETAILS ILLUSTRATE 3-0 PANEL CONFIGURATION. ACTUAL PANEL DESIGN MAY VARY.

STANDARD DETAILS	
TRUSS TIE DOWN	DWG. NO. 108
SCALE: 1-1/2" = 1'-0"	



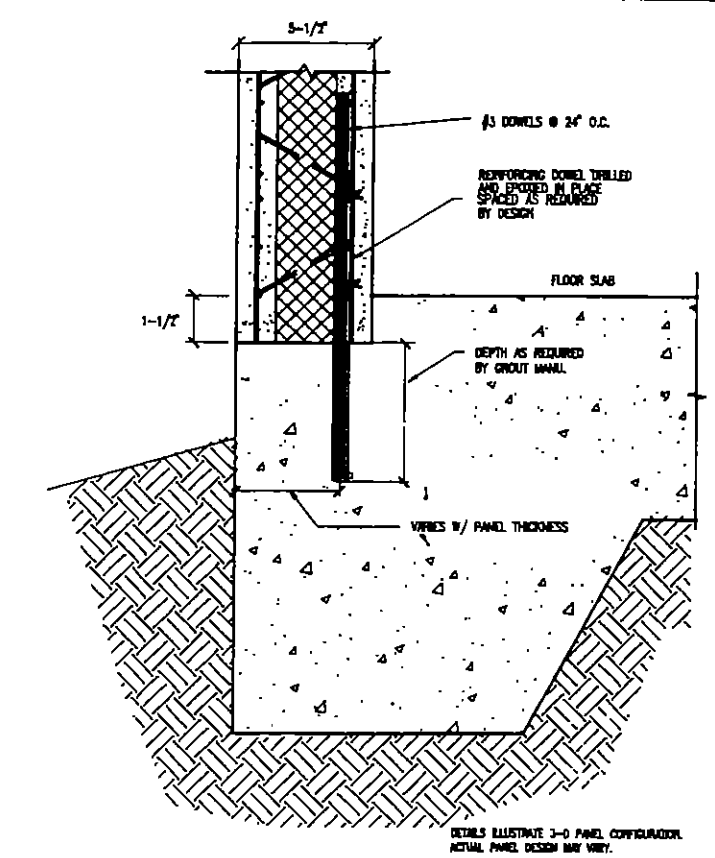
DETAILS ILLUSTRATE 3-D PANEL CONFIGURATION. ACTUAL PANEL DESIGN MAY VARY.



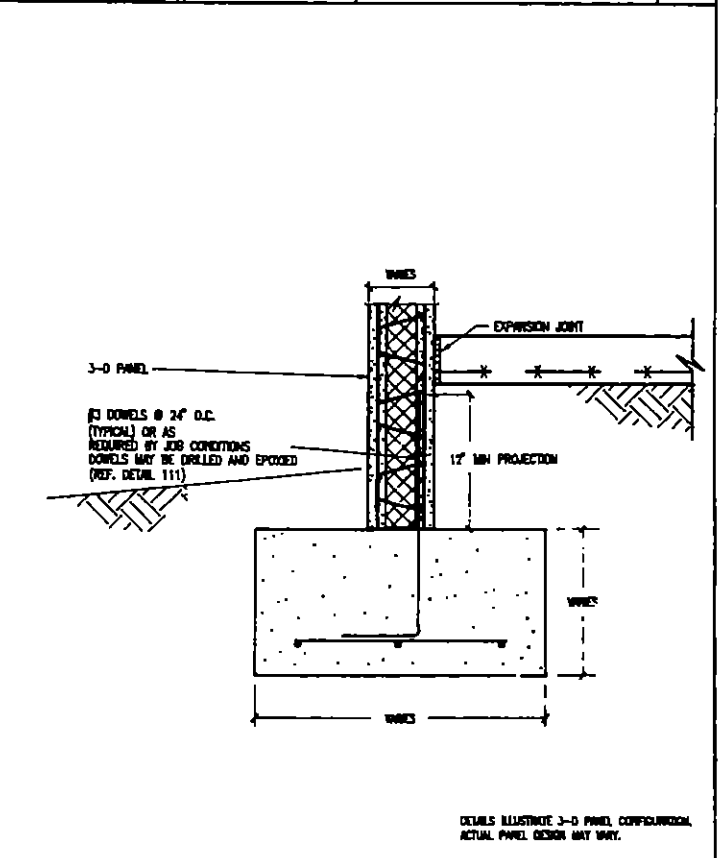
DETAILS ILLUSTRATE 3-D PANEL CONFIGURATION. ACTUAL PANEL DESIGN MAY VARY.

STANDARD DETAILS  
TRUSS TIE DOWN  
SCALE: 1-1/2" = 1'-0"  
DWG. NO. 109

STANDARD DETAILS  
TYPICAL TURN DOWN EDGE FOOTING / WALL CONNECTION  
SCALE: 3/8" = 1'-0"  
DWG. NO. 110



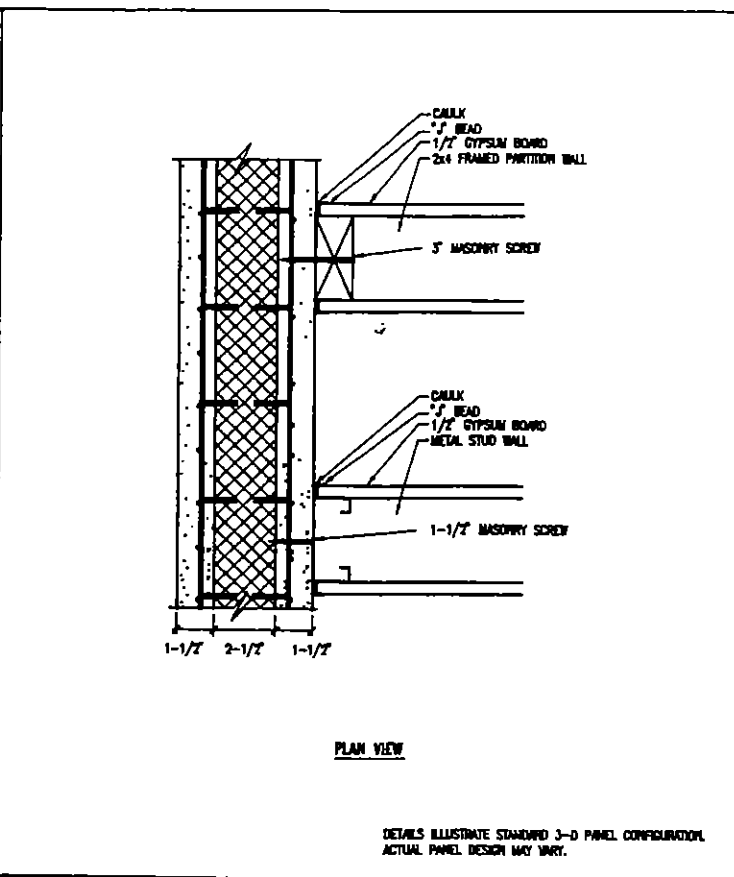
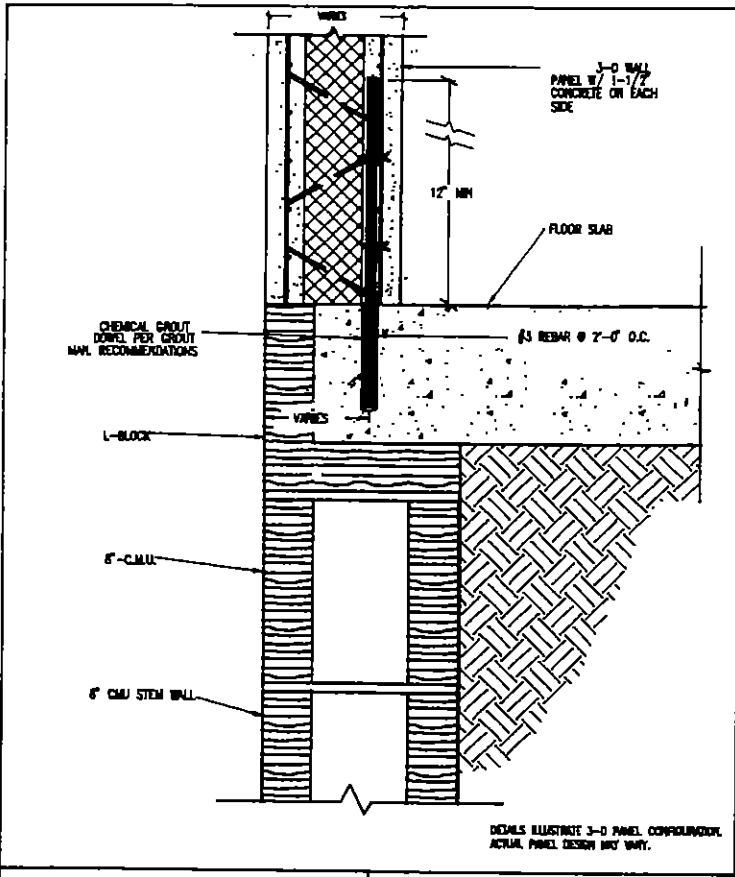
DETAILS ILLUSTRATE 3-D PANEL CONFIGURATION. ACTUAL PANEL DESIGN MAY VARY.



DETAILS ILLUSTRATE 3-D PANEL CONFIGURATION. ACTUAL PANEL DESIGN MAY VARY.

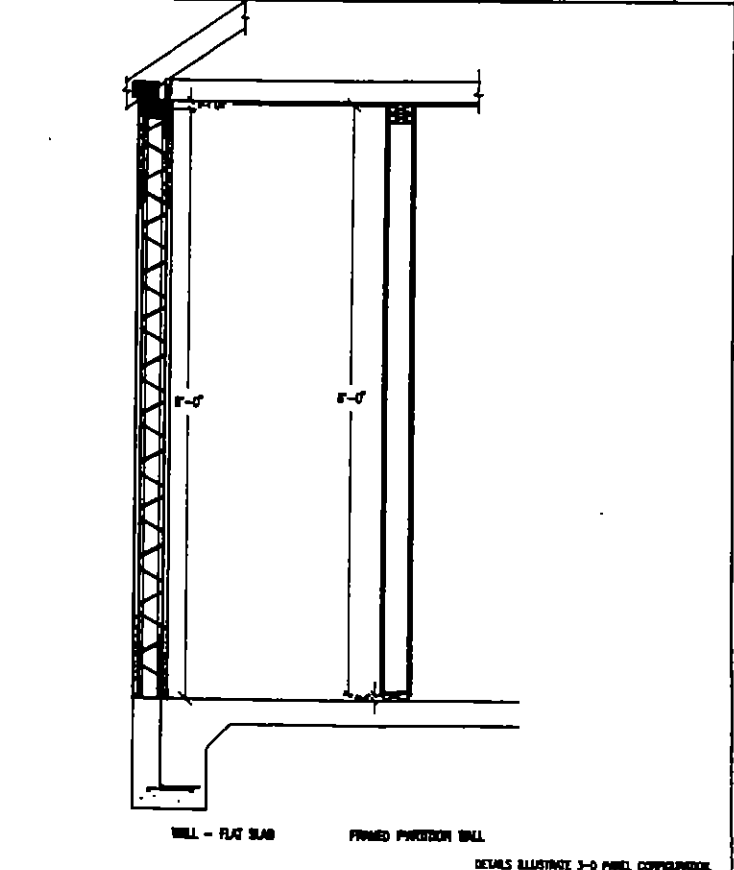
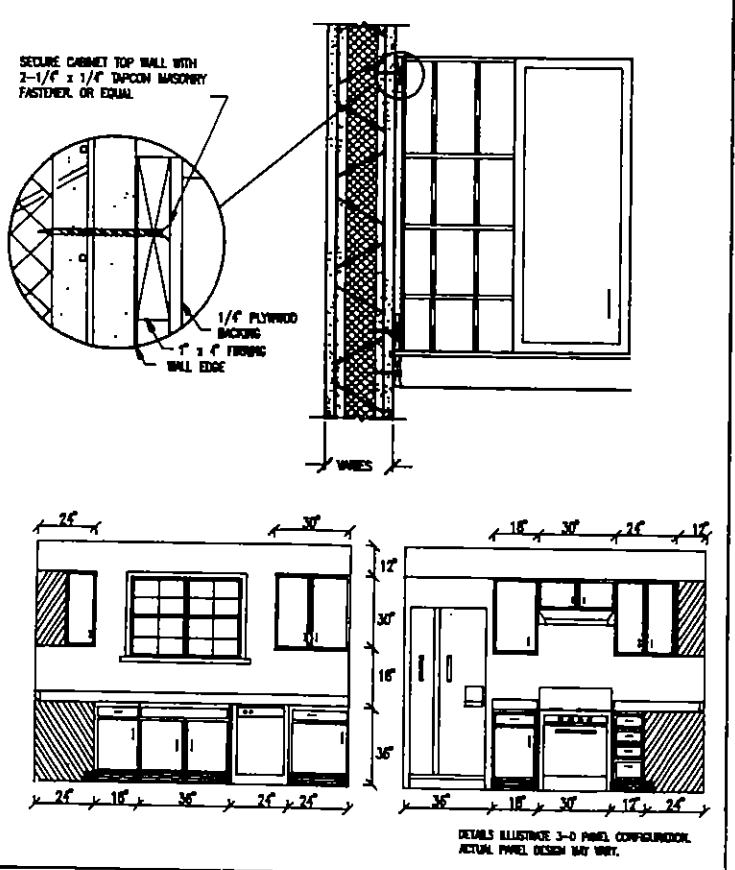
STANDARD DETAILS  
TYPICAL TURN DOWN EDGE FOOTING / WALL CONNECTION  
SCALE: 1-1/2" = 1'-0"  
DWG. NO. 111

STANDARD DETAILS  
TYPICAL FOOTING / WALL CONNECTION  
SCALE: 3/8" = 1'-0"  
DWG. NO. 112



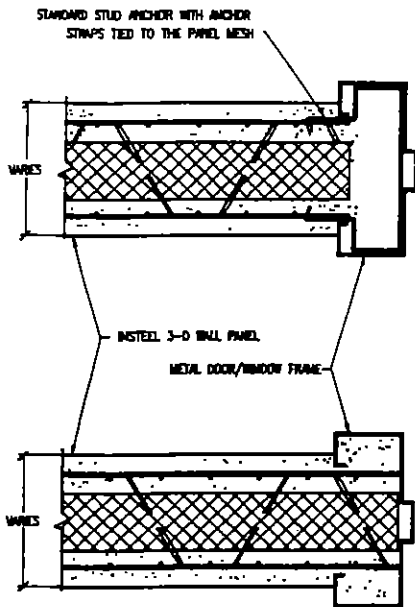
<b>STANDARD DETAILS</b>	
TYPICAL STEM WALL	DWG. NO. 113
SCALE: 1-1/2" = 1'-0"	

<b>STANDARD DETAILS</b>	
PARTITION WALL INTERSECTION WOOD FRAME / METAL STUD	DWG. NO. 114
SCALE: 1-1/2" = 1'-0"	

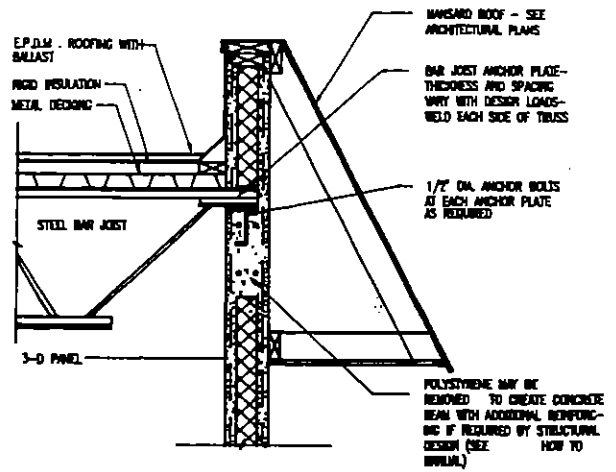


<b>STANDARD DETAILS</b>	
TYPICAL CABINET CONNECTION	DWG. NO. 115

<b>STANDARD DETAILS</b>	
/ FRAMED PARTITION WALL	DWG. NO. 116



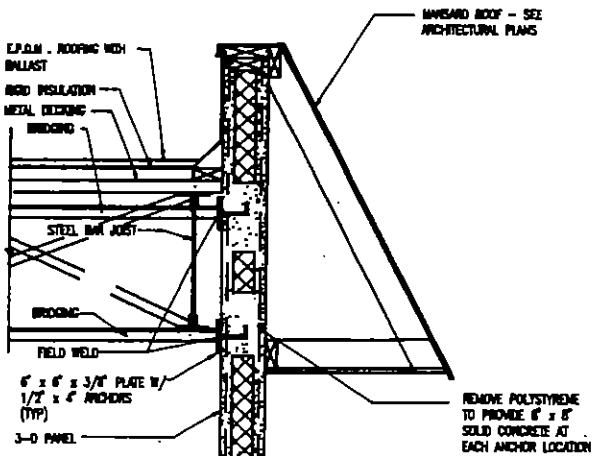
DETAILS ILLUSTRATE STANDARD 3-D PANEL CONFIGURATION  
ACTUAL PANEL DESIGN MAY VARY



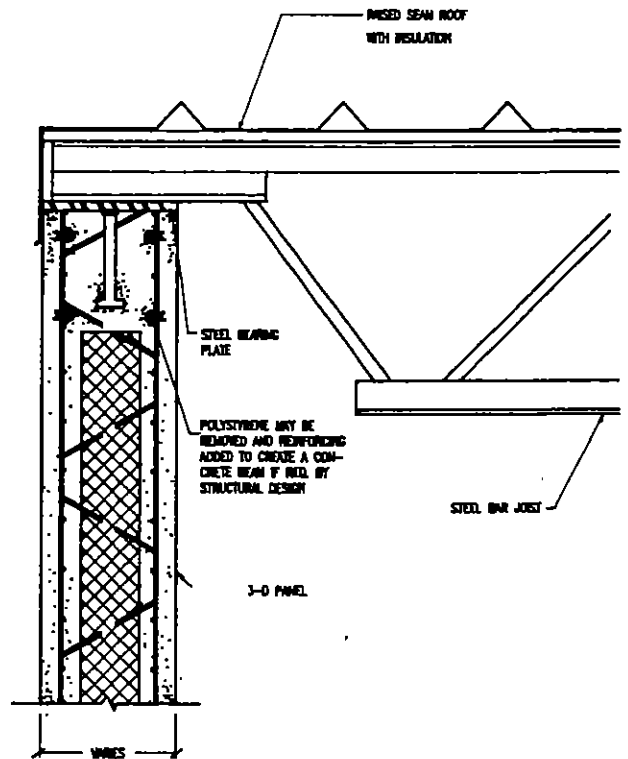
DETAILS ILLUSTRATE STANDARD 3-D PANEL CONFIGURATION  
ACTUAL PANEL DESIGN MAY VARY

STANDARD DETAILS	
METAL WINDOW & DOOR DETAILS	DWG. NO. 201
SCALE: 1-1/2" = 1'-0"	

STANDARD DETAILS	
TYPICAL BAR JOIST (BAR JOIST) ANCHOR	DWG. NO. 202
SCALE: 1/2" = 1'-0"	



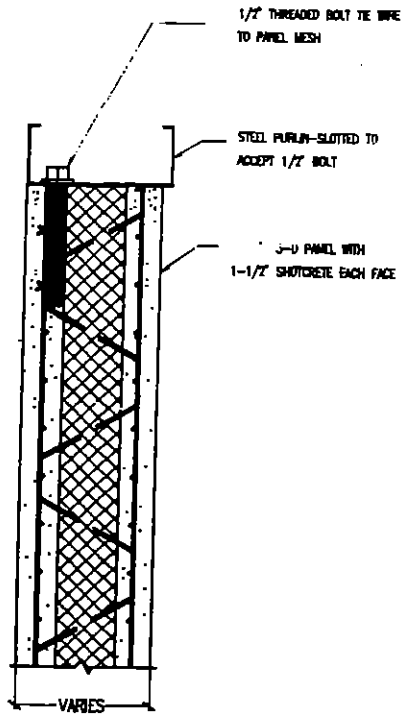
DETAILS ILLUSTRATE STANDARD 3-D PANEL CONFIGURATION  
ACTUAL PANEL DESIGN MAY VARY



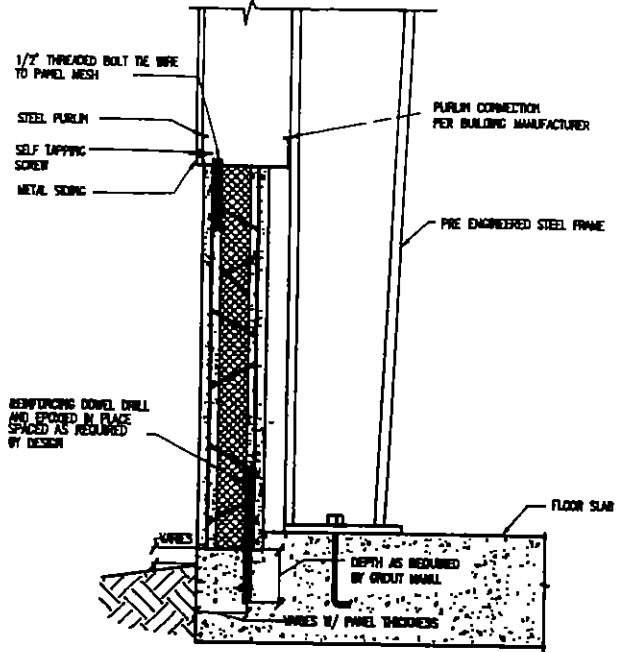
DETAILS ILLUSTRATE STANDARD 3-D PANEL CONFIGURATION  
ACTUAL PANEL DESIGN MAY VARY

STANDARD DETAILS	
TYPICAL BAR JOIST BRIDGING ANCHOR	DWG. NO. 203
SCALE: 1/2" = 1'-0"	

STANDARD DETAILS	
METAL ROOF/INSTEEL 3-D	DWG. NO. 204
SCALE: 1-1/2" = 1'-0"	



DETAILS ILLUSTRATE STANDARD 3-D PANEL CONFIGURATION. ACTUAL PANEL DESIGN MAY VARY.



DETAILS ILLUSTRATE STANDARD 3-D PANEL CONFIGURATION. ACTUAL PANEL DESIGN MAY VARY.

STANDARD DETAILS

METAL BUILDING PURLIN / WALL CONNECTION

DWG. NO. 205

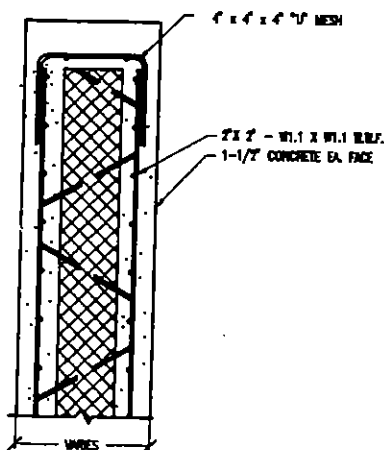
SCALE: 1-1/2" = 1'-0"

STANDARD DETAILS

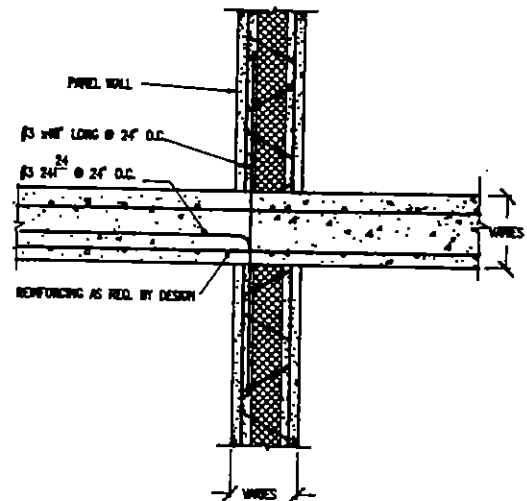
TYPICAL WALL SECTION

DWG. NO. 206

SCALE: 3/4" = 1'-0"



DETAILS ILLUSTRATE 3-D PANEL CONFIGURATION. ACTUAL PANEL DESIGN MAY VARY.



DETAILS ILLUSTRATE 3-D PANEL CONFIGURATION. ACTUAL PANEL DESIGN MAY VARY. TYPICAL DETAILS NOT FOR CONSTRUCTION.

STANDARD DETAILS

PARAPET CAP

DWG. NO. 207

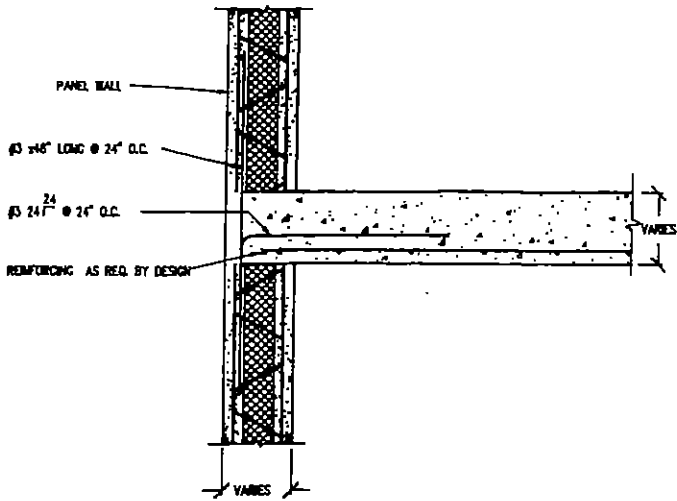
SCALE: 1-1/2" = 1'-0"

STANDARD DETAILS

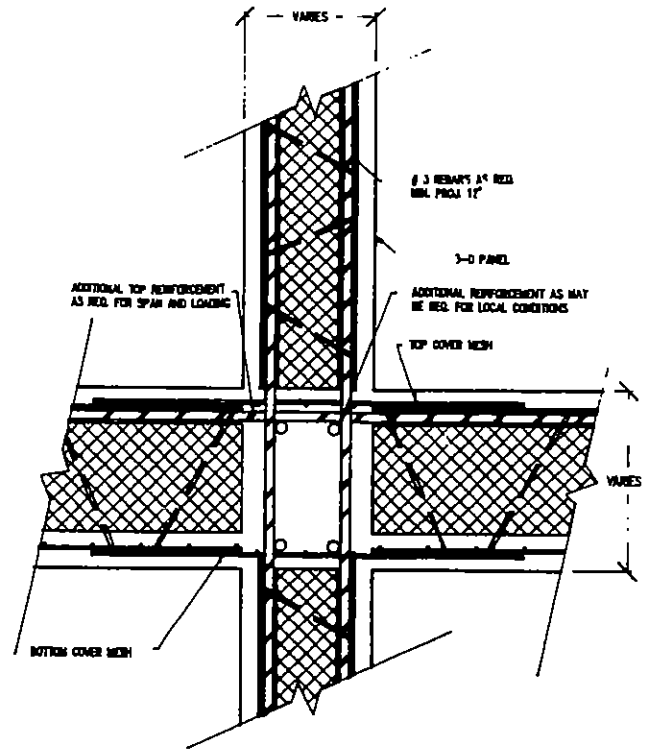
TYP. INTERIOR 3-D WALL / CAST-IN-PLACE FLOOR CONN.

DWG. NO. 208

SCALE: 3/4" = 1'-0"



DETAILS ILLUSTRATE 3-D PANEL CONFIGURATION.  
ACTUAL PANEL DESIGN MAY VARY.  
TYPICAL DETAILS NOT FOR CONSTRUCTION.



DETAILS ILLUSTRATE 3-D PANEL CONFIGURATION.  
ACTUAL PANEL DESIGN MAY VARY.  
STANDARD DETAIL NOT FOR CONSTRUCTION.

STANDARD DETAILS

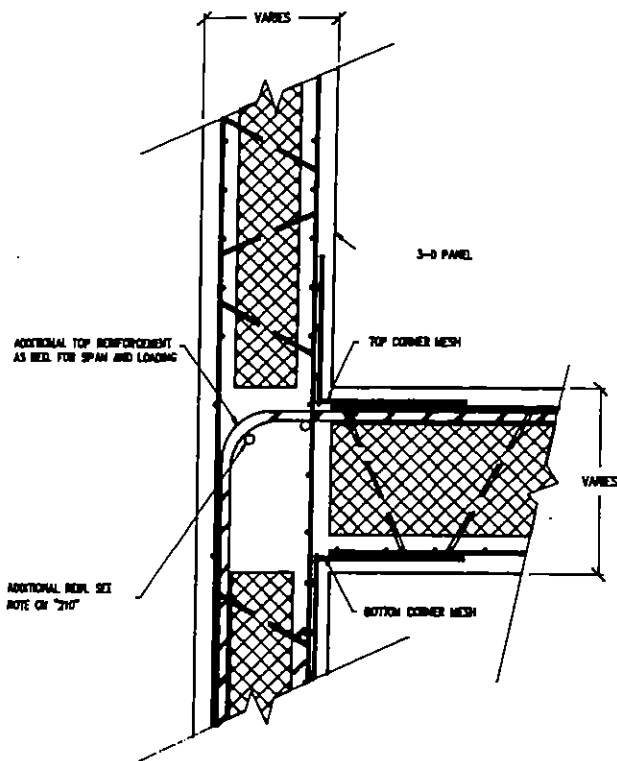
TYPICAL EXTERIOR 3-D WALL/ CAST-IN-PLACE  
FLOOR CONCL.  
SCALE: 3/4" = 1'-0"

DWG. NO.  
209

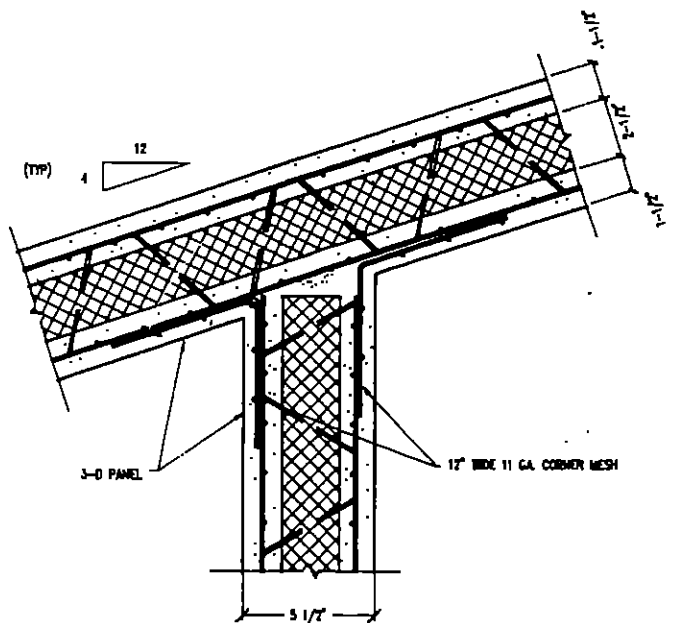
STANDARD DETAILS

TYPICAL FLOOR/WALL INTERSECTION  
SCALE: 1-1/2" = 1'-0"

DWG. NO.  
210



DETAILS ILLUSTRATE 3-D PANEL CONFIGURATION.  
ACTUAL PANEL DESIGN MAY VARY.  
STANDARD DETAIL NOT FOR CONSTRUCTION.



DETAILS ILLUSTRATE STANDARD 3-D PANEL CONFIGURATION.  
ACTUAL PANEL DESIGN MAY VARY.

STANDARD DETAILS

TYPICAL FLOOR/WALL INTERSECTION

SCALE: 1-1/2" = 1'-0"

DWG. NO.  
211

STANDARD DETAILS

TYPICAL WALL TO SLOPED  
ROOF CONNECTION

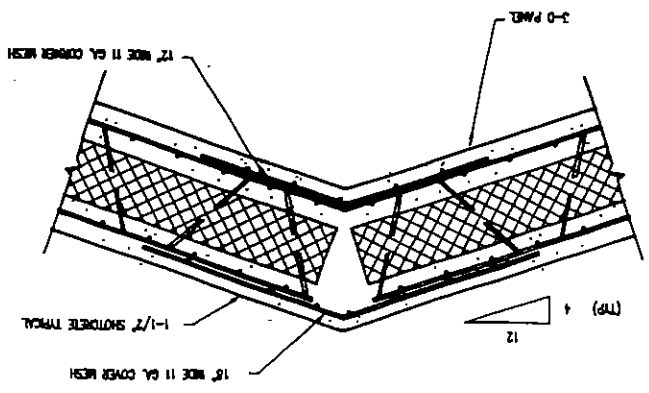
SCALE: 1-1/2" = 1'-0"

DWG. NO.  
212

214  
 DRG. NO.  
 TYPICAL ROOF JOINT  
 RIDGE CONNECTION  
 SCALE: 1-1/2" = 1'-0"

STANDARD DETAILS

DETAILS ILLUSTRATE 3-0 PANEL CONFIGURATION  
 ACTUAL PANEL DESIGN MAY VARY.



213  
 DRG. NO.  
 TYPICAL WALL AT ROOF  
 RIDGE CONNECTION  
 SCALE: 1-1/2" = 1'-0"

STANDARD DETAILS

DETAILS ILLUSTRATE 3-0 PANEL CONFIGURATION  
 ACTUAL PANEL DESIGN MAY VARY.

